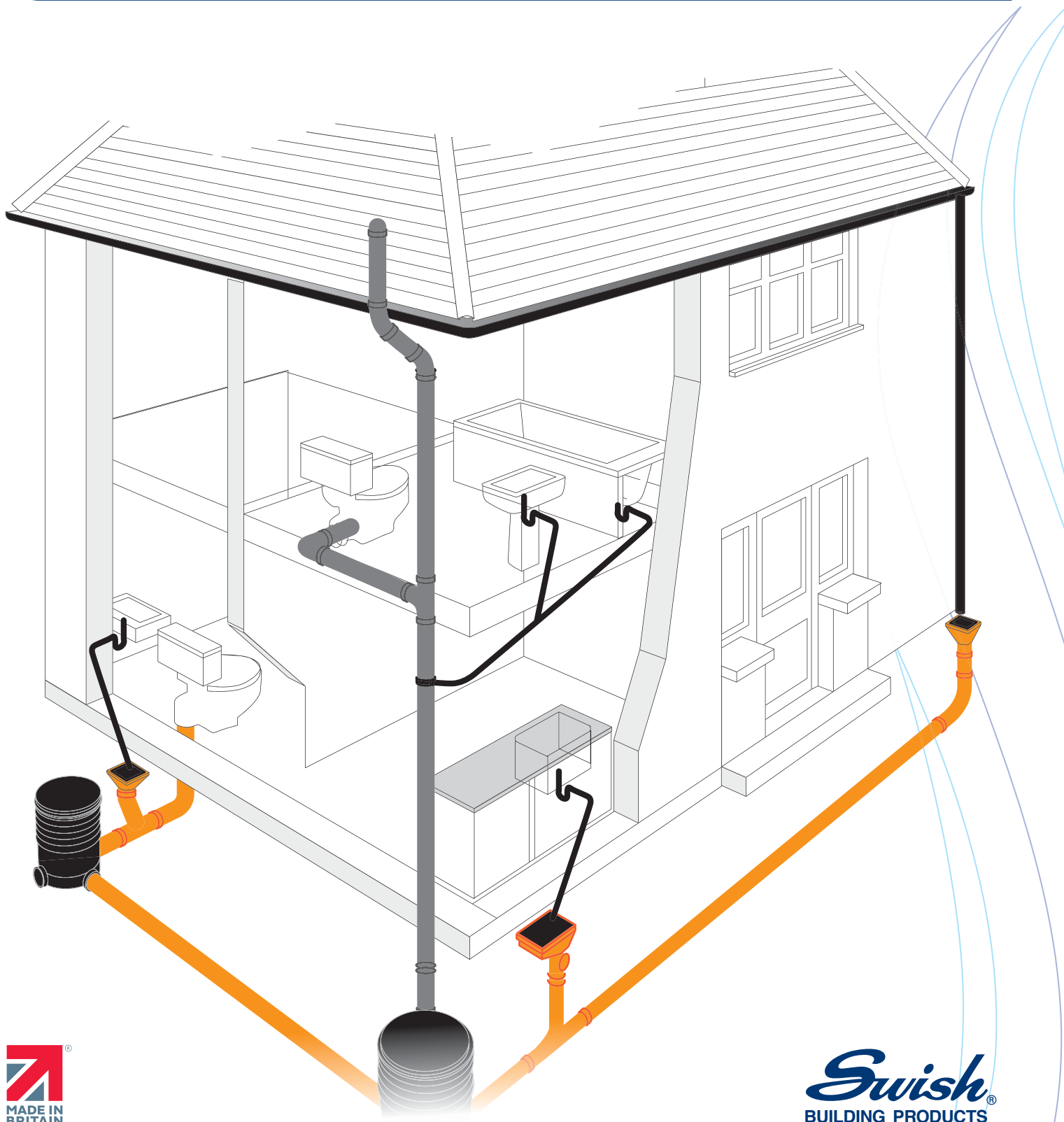


Kayflow™

Drainage Systems

Product Guide

Rainwater | Waste Water | Soil | Underground












Kayflow offers a comprehensive range of Rainwater, Waste Water, Soil and Underground drainage products.

The Kayflow product range is ideal for builders merchants and specialist plastic stockists and can be specified with confidence. Kayflow's drainage systems are easy to install, lightweight and durable and are available in a range of colours.

Sustainability is at the heart of everything Kayflow does and a full programme is in place to drive down energy, reduce water consumption and CO₂ output, further developing the road map to a carbon zero process. The aim is to manufacture high-quality products in the most sustainable way possible.

As part of Kayflow's ongoing commitment to sustainability and supplying customers with clear, concise and transparent data, a verified EPD has been received for the rainwater range.

Rainwater		Waste Water		
 Plastic Rainwater Systems KITEMARK™ BS EN 607	 Brackets for Eaves and Gutters KITEMARK™ BS EN 12200-1	 Plastic Piping Systems KITEMARK™ BS 1462	 Plastic Piping Systems KITEMARK™	Solvent Weld Pipe - BS5255 Push Fit Pipe - BS EN1451 Solvent Weld Mouldings EN1329-1 Push Fit Mouldings - EN1451
Soil		Underground		Inspection Chambers
 Plastic Piping Systems KITEMARK™ BS EN 1453	 PVC Soil and Ventilating Pipes KITEMARK™ BS EN 1329-1	 Plastic Pipework KITEMARK™ BS EN 13476 & WIS 4-35-01	 Plastic Piping Systems KITEMARK™ BS EN 1401-1	 BS EN 13598-1

Scan the QR code to visit the **Technical Hub** for more information around **system specifications, installation guidance and guarantees.**



EN 15804:2012+A2:2019
BRE Global Scheme Document SD207
BREG EN EPD No.: 000613



Manufactured and supplied by **Swish Building Products**.



Contents

Rainwater

Standard Gutters

Half Round	6-7
Square	8-9
Ogee	10-11
Deep	12-13
Round Downpipe	14-15
Square Downpipe	16-17
SuperDeep 170	18-20

Cast Effect

Half Round Cast Effect	22-24
Ogee Cast Effect	25-27
Deep Cast Effect	28-30

Accessories

31

Waste Water

32mm & 40mm Push Fit	34-35
32mm, 40mm & 50mm Solvent Weld	36-37
21.5mm Overflow	38-39
Accessories	39

Soil

110mm Soil	40-45
------------	-------

Underground Systems

110mm Underground	46-52
160mm Underground	53-55

Inspection Chambers

320 Inspection Chambers	56-57
450 Inspection Chambers	58-59





Kayflow™

RAINWATER

Kayflow's sustainable rainwater systems are ideal for anyone that wishes to source quality products that have a reduced carbon footprint.

Available in a range of styles and colours, the rainwater range comes with a 10 year guarantee as standard and is backed by an independently verified EPD.



EN 15804:2012+A2:2019
BRE Global Scheme Document SD207
BREG EN EPD No.: 000613



View our
EPD here

Standard Gutters

- Half Round
- Square
- Ogee
- Deep
- Round Downpipe
- Square Downpipe
- SuperDeep 170

Cast Effect

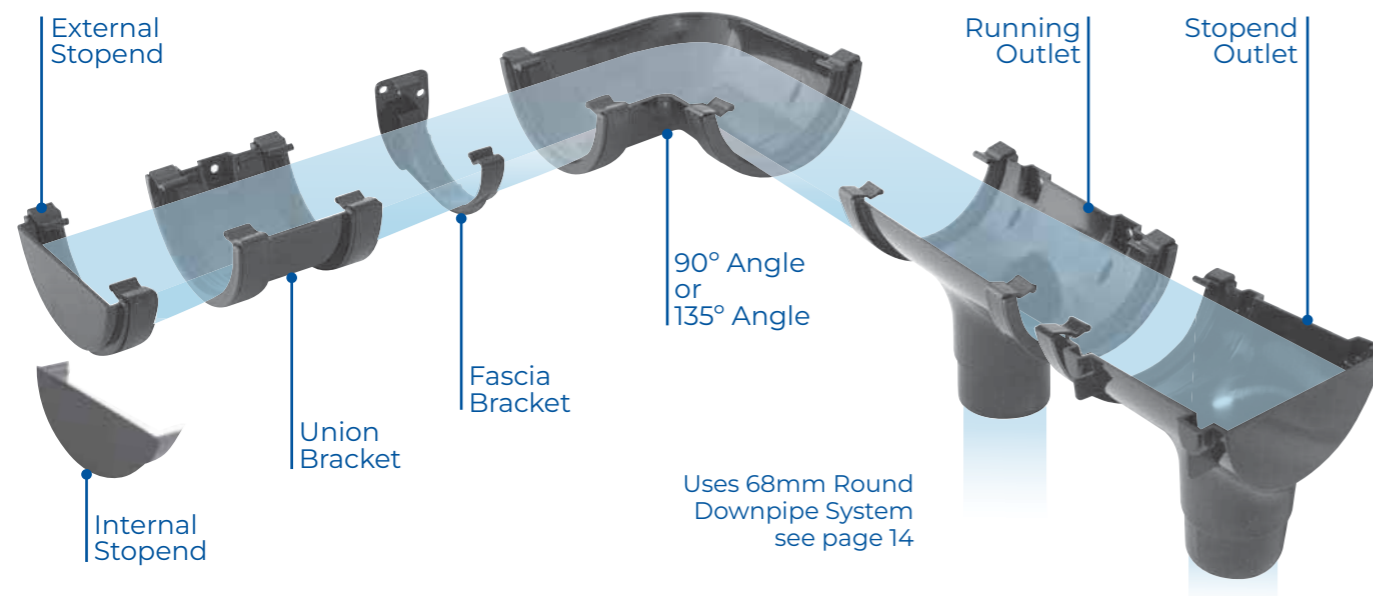
- Half Round Cast Effect
- Ogee Cast Effect
- Deep Cast Effect

Accessories

- Brackets
- Gutter Balloons

Half Round Gutter

Height	Width	Flow Rate	Area Drained	Down Pipe
50mm	114mm	0.9 l/s	43m ²	Round (P14)



Half Round Gutter



code	colour	size	pk qty
KFG4	○ ● ● ● ●	4m	6
KFG5	○ ●	5m	6

90° Angle



code	colour	size	pk qty
KFA1	○ ● ● ● ●	-	20

135° Angle



code	colour	size	pk qty
KFA2	○ ● ● ● ●	-	20

External/Internal Stopends



description	code	colour	size	pk qty
External	KFE1	○ ● ● ● ●	-	100
Internal	KFE2	○ ● ● ● ●	-	20

Fascia Bracket



code	colour	size	pk qty
KFK1	○ ● ● ● ●	-	100

Union Bracket



code	colour	size	pk qty
KFU1	○ ● ● ● ●	-	30

Running Outlet



code	colour	size	pk qty
KFO1	○ ● ● ● ●	-	20

Stopend Outlet



code	colour	size	pk qty
KFO2	○ ● ● ●	-	20

Reversible Gutter Adaptors



description	code	colour	size	pk qty
Round/Deep	KFD9	○ ● ●	-	1
Round/Square	KFDS3	○ ● ●	-	10

Handed Round/Ogee Gutter Adaptors



description	code	colour	size	pk qty
*Ogee/Round	OGR1	○ ● ●	-	1
*Round/Ogee	OGR2	○ ● ●	-	1

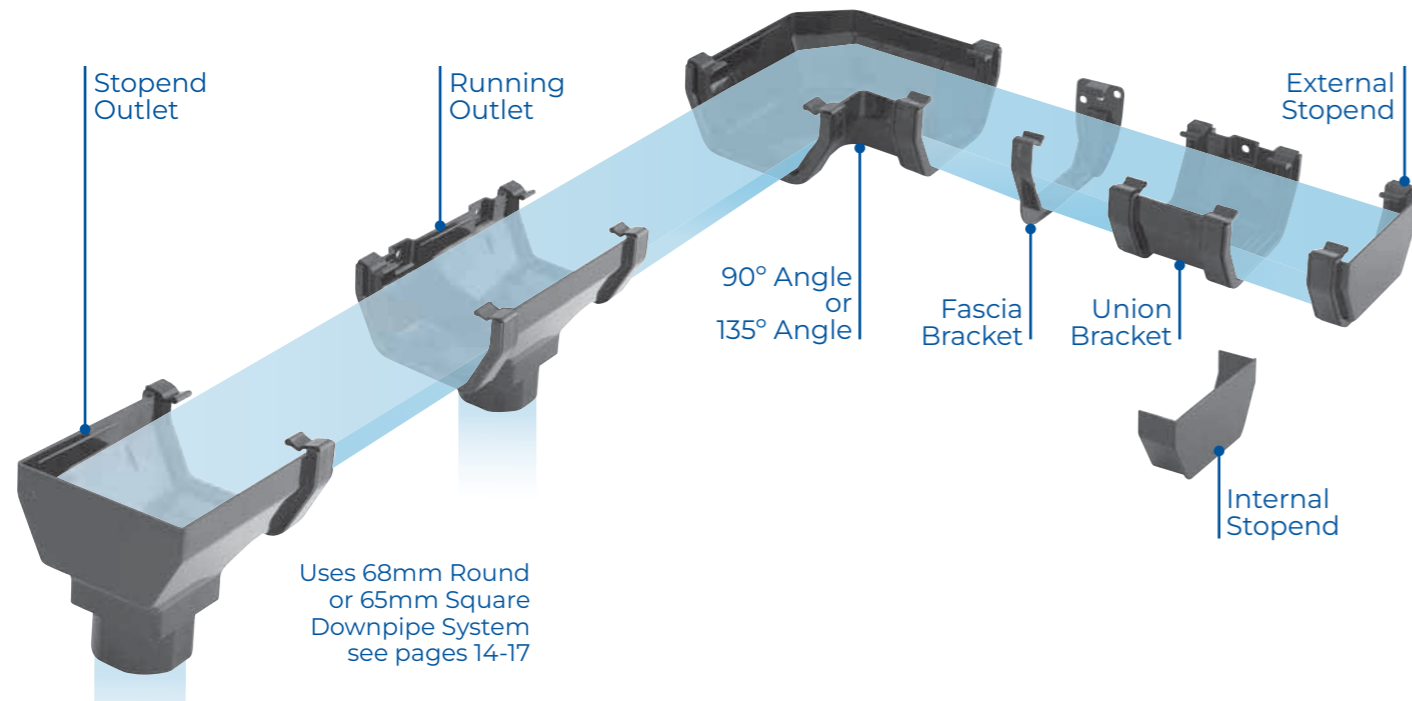
*Gutter Adaptors - description denotes which side each section is on when looking at the building.

Add suffix as follows for colours: ○ W=White, ● BL=Black, ● BR=Brown, ● C=Caramel, ● AG=Anthracite Grey (RAL 7016), ● GY=Grey

Note: Please order as single items but in multiples of pack quantity only.

Square Gutter

Height	Width	Flow Rate	Area Drained	Down Pipe
57mm	117mm	1.6 l/s	76m ²	Round/Square (P14-17)



Square Gutter



code	colour	size	pk qty
KFGS4	○ ● ● ● ●	4m	6
KFGS5	○ ● ●	5m	6

90° Angle



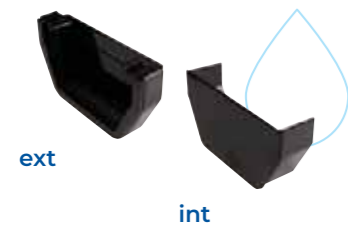
code	colour	size	pk qty
KFAS1	○ ● ● ● ●	-	10

135° Angle



code	colour	size	pk qty
KFAS2	○ ● ● ● ●	-	10

External/Internal Stopends



description	code	colour	size	pk qty
External	KFES1	○ ● ● ● ●	-	100
Internal	KFES2	○ ● ● ●	-	20

Fascia Bracket



code	colour	size	pk qty
KFKS1	○ ● ● ● ●	-	100

Union Bracket



code	colour	size	pk qty
KFUS1	○ ● ● ● ●	-	30

Running Outlet



code	colour	size	pk qty
KFOS1	○ ● ● ● ●	-	20

Stopend Outlet



code	colour	size	pk qty
KFOS2	○ ● ● ●	-	20

Reversible Gutter Adaptors



description	code	colour	size	pk qty
Square/Round	KFDS3	○ ● ●	-	10
Square/Deep	KFD10	○ ● ●	-	1

Handed Square/Ogee Gutter Adaptors



description	code	colour	size	pk qty
*Ogee/Square	OGS1	○ ● ●	-	1
*Square/Ogee	OGS2	○ ● ●	-	1

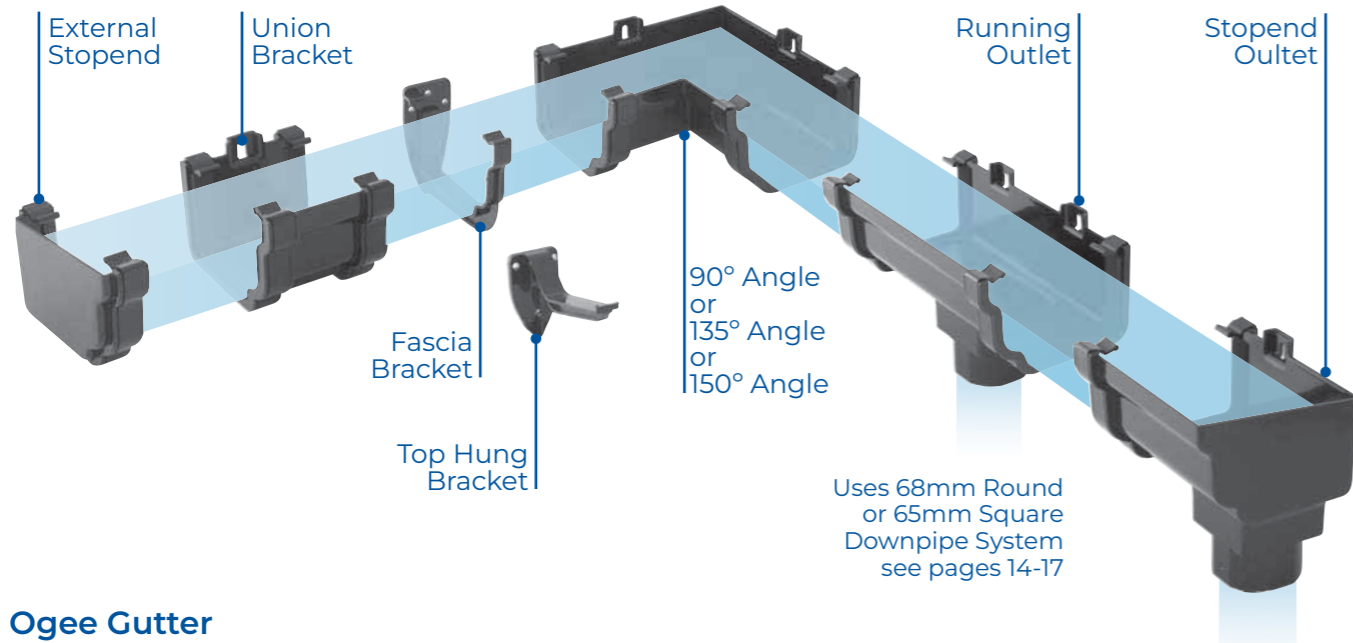
*Gutter Adaptors - description denotes which side each section is on when looking at the building.

Add suffix as follows for colours: ○ W=White, ● BL=Black, ● BR=Brown, ● C=Caramel, ● AG=Anthracite Grey (RAL 7016), ● GY=Grey

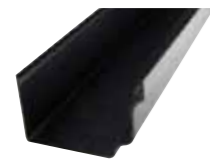
Note: Please order as single items but in multiples of pack quantity only.

Ogee Gutter

Height	Width	Flow Rate	Area Drained	Down Pipe
70mm	120mm	2.2 l/s	105m ²	Round/Square (P14/17)



Ogee Gutter



code	colour	size	pk qty
OGG4	○ ● ● ● ●	4m	4

90° & 135° Internal Angle



description	code	colour	size	pk qty
90° Internal	OGA1	○ ● ● ● ●	-	10
135° Internal	OGA3	○ ● ● ● ●	-	10

90° External Angle



code	colour	size	pk qty
OGA2	○ ● ● ● ●	-	10

135° & 150° External Angles



description	code	colour	size	pk qty
135° External	OGA4	○ ● ● ● ●	-	10
150° External	OGA5	○ ● ● ● ●	-	4

Union Bracket



code	colour	size	pk qty
OGU1	○ ● ● ● ●	-	8

External Stopends



description	code	colour	size	pk qty
Left-hand	OGE1	○ ● ● ● ●	-	10
Right-hand	OGE2	○ ● ● ● ●	-	10

Fascia Bracket



description	code	colour	size	pk qty
Fascia	OGK1	○ ● ● ● ●	-	100
Top Hung	OGK2	○ ● ● ● ●	-	20

Running Outlet



code	colour	size	pk qty
OGO1	○ ● ● ● ●	-	10

Stopend Outlets



description	code	colour	size	pk qty
Left-hand	OGO3	○ ● ● ● ●	-	10
Right-hand	OGO2	○ ● ● ● ●	-	10

Handed Ogee/Deep Gutter Adaptors



description	code	colour	size	pk qty
Ogee/Deep	OGD1	○ ● ● ● ●	-	1
Deep/Ogee	OGD2	○ ● ● ● ●	-	1

Handed Square/Ogee Gutter Adaptors



description	code	colour	size	pk qty
*Ogee/Square	OGS1	○ ● ● ● ●	-	1
*Square/Ogee	OGS2	○ ● ● ● ●	-	1

Handed Round/Ogee Gutter Adaptors



description	code	colour	size	pk qty
*Ogee/Round	OGR1	○ ● ● ● ●	-	1
*Round/Ogee	OGR2	○ ● ● ● ●	-	1

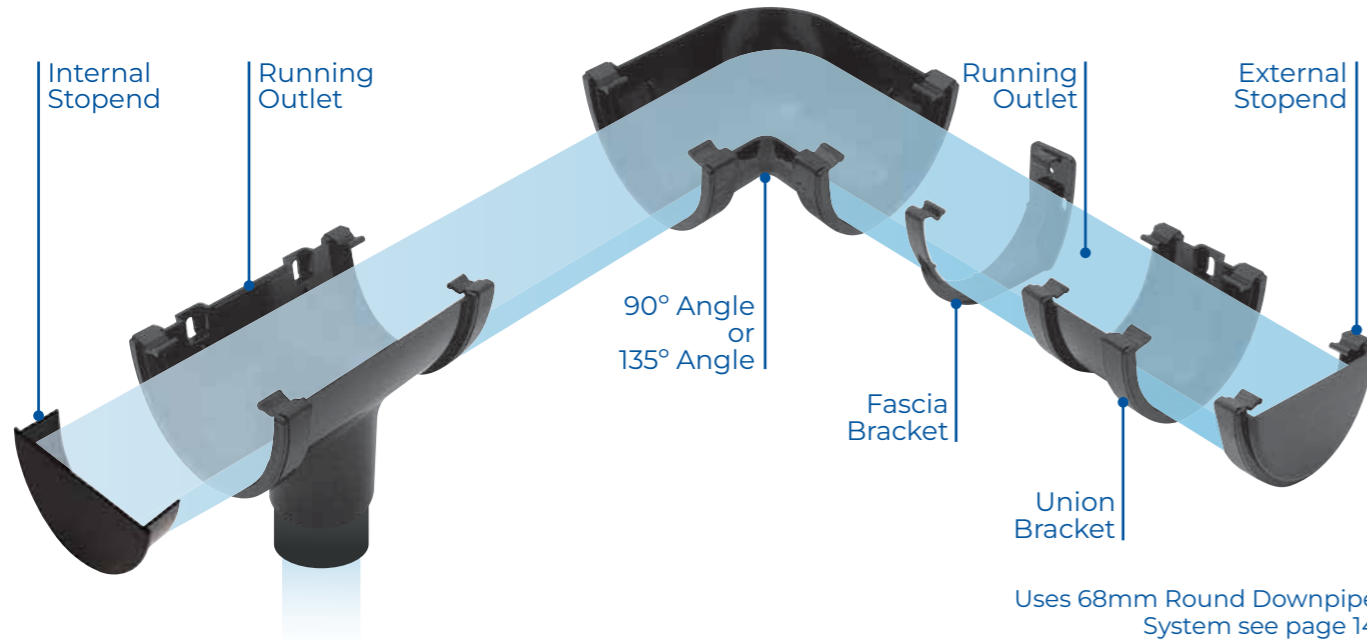
*Gutter Adaptors - description denotes which side each section is on when looking at the building.

Add suffix as follows for colours: ○ W=White, ● BL=Black, ● BR=Brown, ● C=Caramel, ● AG=Anthracite Grey (RAL 7016), ● GY=Grey

Note: Please order as single items but in multiples of pack quantity only.

Deep Gutter

Height	Width	Flow Rate	Area Drained	Down Pipe
71mm	114mm	1.81 l/s	86m ²	Round (P14)



Deep Gutter



code	colour	size	pk qty
KDG4	○ ● ● ●	4m	6

90° Angle



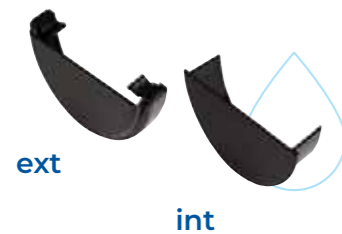
code	colour	size	pk qty
KDA1	○ ● ● ●	-	4

135° Angle



code	colour	size	pk qty
KDA2	○ ● ● ●	-	4

External/Internal Stopends



description	code	colour	size	pk qty
External	KDE1	○ ● ● ●	-	10
Internal	KDE2	○ ● ● ●	-	10

Reversible Gutter Adaptors



description	code	colour	size	pk qty
Deep/Round	KFD9	○ ● ●	-	1
Deep/Square	KFD10	○ ● ●	-	1

Handed Ogee/Deep Gutter Adaptors



	code	colour	size	pk qty
*Ogee/Deep	OGD1	○ ● ●	-	1
*Deep/Ogee	OGD2	○ ● ●	-	1

Fascia Bracket



code	colour	size	pk qty
KDK1	○ ● ● ●	-	100

Running Outlet



code	colour	size	pk qty
KDO1	○ ● ● ●	-	10

Union Bracket



code	colour	size	pk qty
KDU1	○ ● ● ●	-	20

*Gutter Adaptors - description denotes which side each section is on when looking at the building.

Add suffix as follows for colours: ○ W=White, ● BL=Black, ● BR=Brown, ● C=Caramel, ● AG=Anthracite Grey (RAL 7016), ● GY=Grey

Note: Please order as single items but in multiples of pack quantity only.

Round Downpipe

- 68mm diameter
- Use with Half Round, Square, Ogee & Deep



68mm Round Downpipe



code	colour	size	pk qty
KFP25	○ ● ● ● ● ●	2.5m	6
KFP4	○ ● ● ● ● ●	4.0m	6
KFP55	○ ● ● ● ● ●	5.5m	6

92.5° Offset Bend



code	colour	size	pk qty
KFB1	○ ● ● ● ● ●	-	20

112.5° Offset Bend



code	colour	size	pk qty
KFB2	○ ● ● ● ● ●	-	30

Shoe



code	colour	size	pk qty
KFB3	○ ● ● ● ● ●	-	30

Pipe Clip



code	colour	size	pk qty
KFC1	○ ● ● ● ● ●	-	100

Concealed Fixing Pipe Clip



code	colour	size	pk qty
OGC3	○ ● ● ●	-	10

Square/Round Hopper



code	colour	size	pk qty
KFHS1	○ ● ● ● ● ●	-	10

Pipe Socket



code	colour	size	pk qty
KFST1	○ ● ● ● ● ●	-	20

112.5° Branch



code	colour	size	pk qty
KFY1	○ ● ● ● ● ●	-	10

Square/Round Downpipe Adaptor



code	colour	size	pk qty
KFDS2	○ ● ● ● ●	-	10

Round Access Pipe

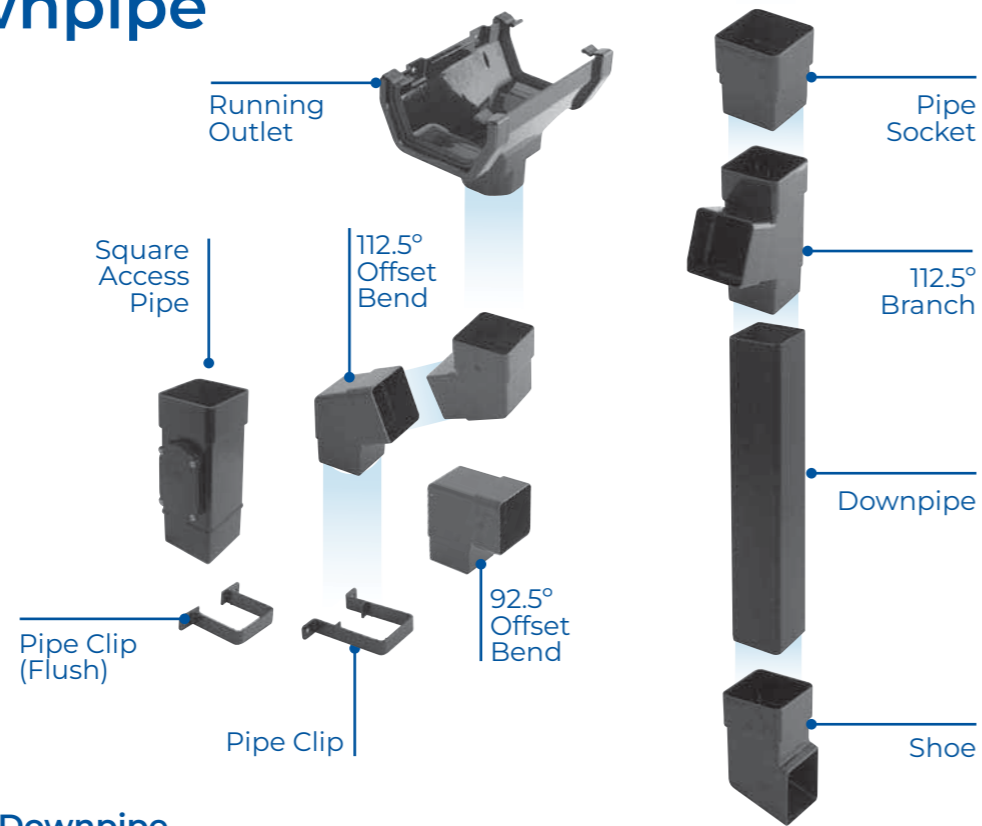


code	colour	size	pk qty
KFAP	○ ● ● ●	-	1

Add suffix as follows for colours: ○ W=White, ● BL=Black, ● BR=Brown, ● C=Caramel, ● AG=Anthracite Grey (RAL 7016), ● GY=Grey
 Note: Please order as single items but in multiples of pack quantity only.

Square Downpipe

- 65mm x 65mm
- Use with Square & Ogee



65mm x 65mm Square Downpipe



code	colour	size	pk qty
KFPS25	○ ● ● ● ● ●	2.5m	6
KFPS4	○ ● ● ● ● ●	4.0m	6
KFPS55	○ ● ● ● ● ●	5.5m	6

92.5° Offset Bend



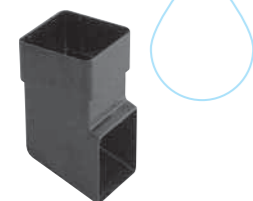
code	colour	size	pk qty
KFBS1	○ ● ● ● ● ●	-	20

112.5° Offset Bend



code	colour	size	pk qty
KFBS2	○ ● ● ● ● ●	-	30

Shoe



code	colour	size	pk qty
KFBS3	○ ● ● ● ● ●	-	30

Pipe Clip



code	colour	size	pk qty
KFCS1	○ ● ● ● ● ●	-	100

Pipe Clip (Flush)



code	colour	size	pk qty
KFCS2	○ ● ● ● ● ●	-	100

Square/Round Hopper



code	colour	size	pk qty
KFHS1	○ ● ● ● ● ●	-	10

Pipe Socket



code	colour	size	pk qty
KFSS1	○ ● ● ● ● ●	-	20

112.5° Branch



code	colour	size	pk qty
KFYST	○ ● ● ● ● ●	-	10

Square/Round Downpipe Adaptor



code	colour	size	pk qty
KFDS2	○ ● ● ● ● ●	-	10

Square Access Pipe

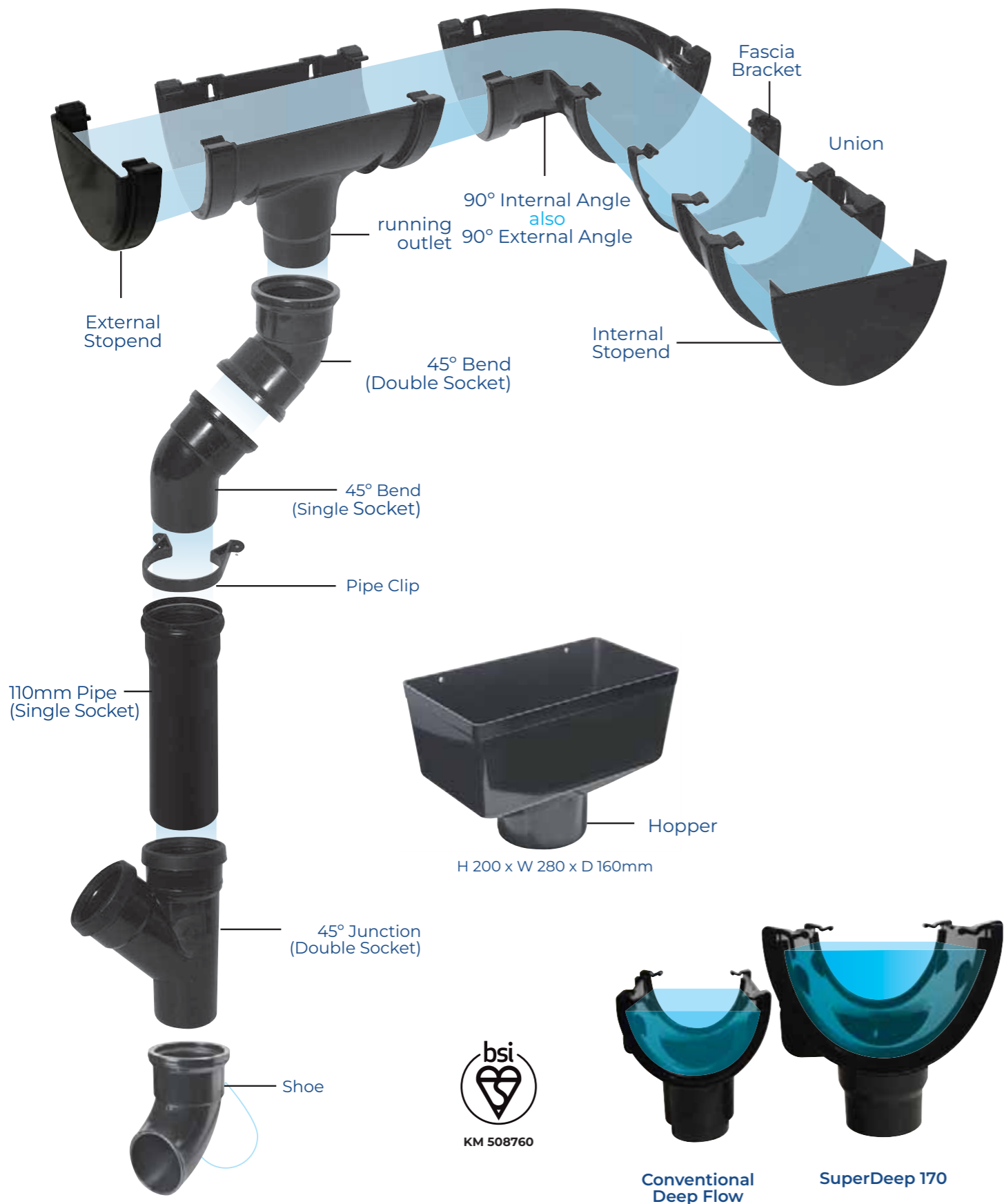


code	colour	size	pk qty
KFSAP	○ ● ● ● ● ●	-	1

Add suffix as follows for colours: ○ W=White, ● BL=Black, ● BR=Brown, ● C=Caramel, ● AG=Anthracite Grey (RAL 7016), ● GY=Grey
 Note: Please order as single items but in multiples of pack quantity only.

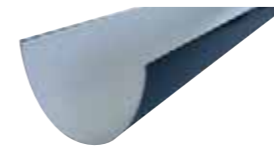
SuperDeep 170

Height	Width	Flow Rate	Area Drained	Downpipe
108mm	170mm	4.3 l/s	205m ²	Soil (P20)



Note: To minimise heat gains from the large internal surface area, SuperDeep has a white core.

SuperDeep 170 Gutter



code	colour	size	pk qty
KCG4	● ●	4m	4

90° External Angle



code	colour	size	pk qty
KCA1	● ●	-	1

90° Internal Angle



code	colour	size	pk qty
KCA2	● ●	-	1

Internal Stopend



code	colour	size	pk qty
KCE2	● ●	-	1

External Stopend



code	colour	size	pk qty
KCE1	● ●	-	1

Fascia Bracket



code	colour	size	pk qty
KCK1	● ●	-	1

Running Outlet



code	colour	size	pk qty
KCO1	● ●	-	1

Union Bracket



code	colour	size	pk qty
KCU1	● ●	-	1

Add suffix as follows for colours: ● BL=Black, ● GY=Grey

Note: Please order as single items but in multiples of pack quantity only.

110mm Pipe (Single Socket)



code	colour	size (mm)	pk qty
S1	● ●	110	2 x 3m

Pipe Clip



code	colour	size	pk qty
S22	● ●	-	1

45° Bend (Double Socket)



code	colour	size	pk qty
S4	● ●	-	1

45° Bend (Single Socket)



code	colour	size	pk qty
S8	● ●	-	1

45° Branch (Double Socket)



code	colour	size	pk qty
S15	● ●	-	1

45° Branch (Triple Socket)



code	colour	size	pk qty
S13	● ●	-	1

Coupler



code	colour	size	pk qty
S16	● ●	-	1

Hopper



code	colour	size	pk qty
KCH2	● ●	-	1

Shoe

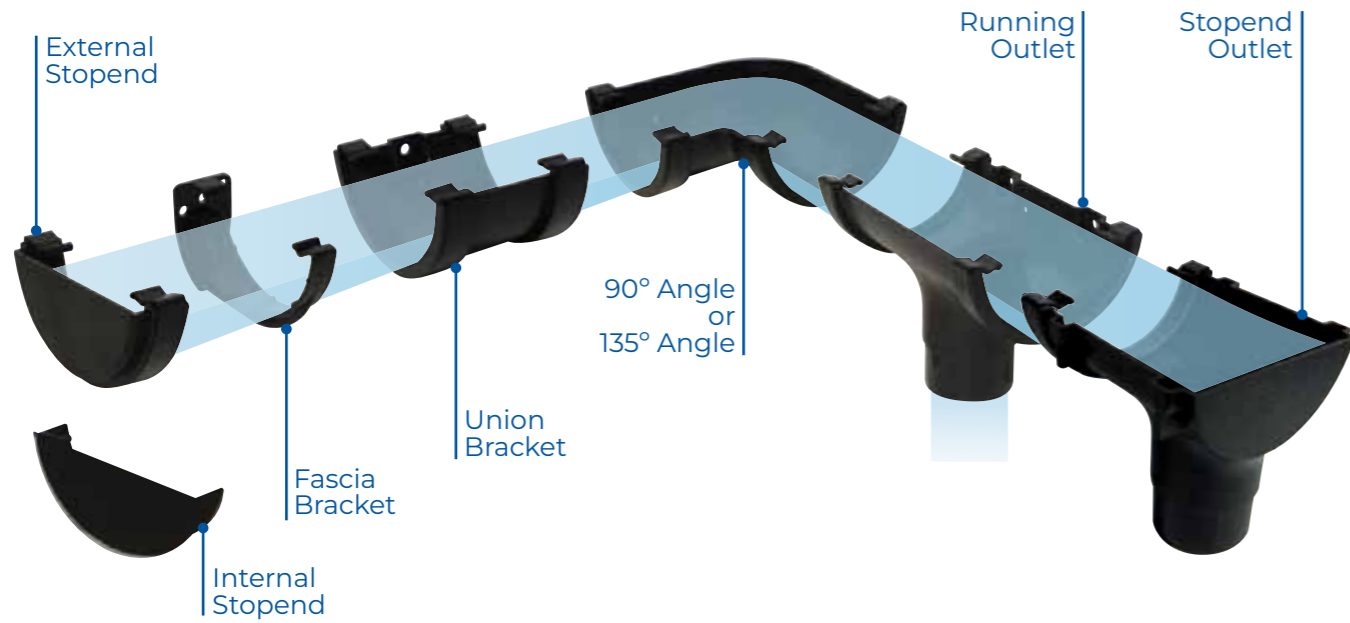


code	colour	size	pk qty
S26	● ●	-	1



Half Round Gutter & Downpipe Cast Effect System

Height	Width	Flow Rate	Area Drained	Downpipe
50mm	114mm	0.9 l/s	43m ²	Round



Half Round Gutter



code	colour	size	pk qty
KFG4	●	4m	1

68mm Round Downpipe



code	colour	size	pk qty
KFP25	●	2.5m	1

90° Angle



code	colour	size	pk qty
KFA1	●	-	1

135° Angle



code	colour	size	pk qty
KFA2	●	-	1

External/Internal Stopends



description	code	colour	size	pk qty
External	KFE1	●	-	1
Internal	KFE2	●	-	1

Fascia Bracket



code	colour	size	pk qty
KFK1	●	-	1

Union Bracket



code	colour	size	pk qty
KFU1	●	-	1

Running Outlet



code	colour	size	pk qty
KFO1	●	-	1

Stopend Outlet



code	colour	size	pk qty
KFO2	●	-	1

92.5° Offset Bend



code	colour	size	pk qty
KFB1	●	-	1

112.5° Offset Bend



code	colour	size	pk qty
KFB2	●	-	1

Add suffix as follows for colours: ● CB = Cast Black

Note: Please order as single items but in multiples of pack quantity only.

Half Round Gutter & Round Downpipe Cast Effect System

Shoe with Lugs



code	colour	size	pk qty
KFB4	●	-	1

Pipe Clip with Lugs



code	colour	size	pk qty
KFC2	●	-	1

Hopper with Lugs



code	colour	size	pk qty
KFHS2	●	-	1

Pipe Socket with Lugs



code	colour	size	pk qty
KFS2	●	-	1

112.5° Branch



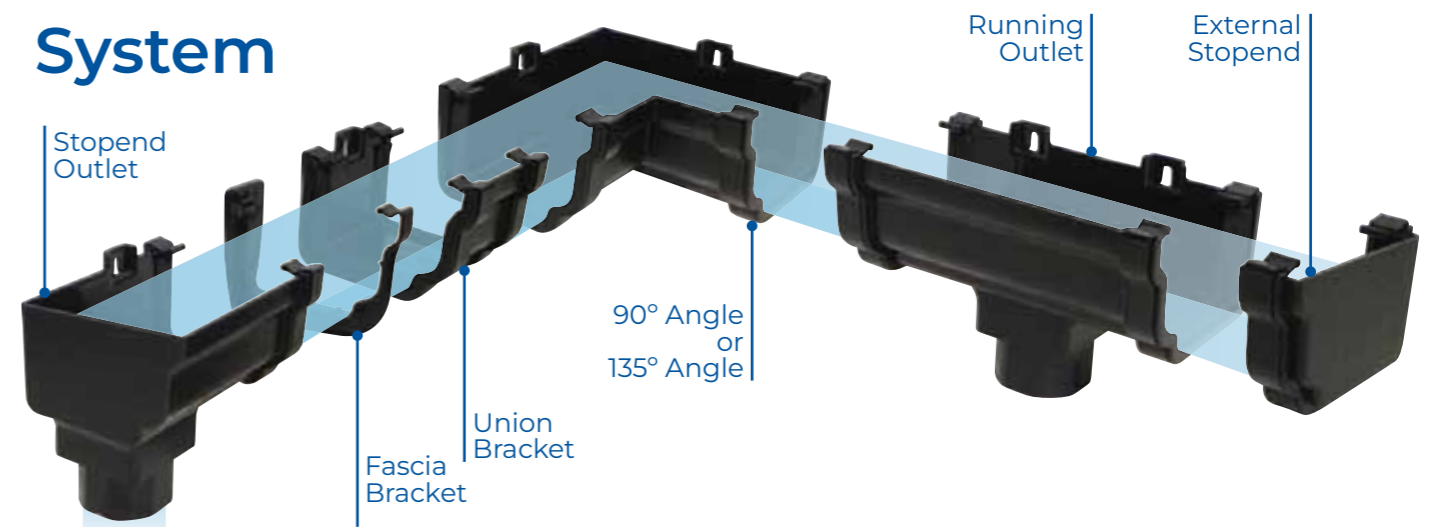
code	colour	size	pk qty
KFY1	●	-	1



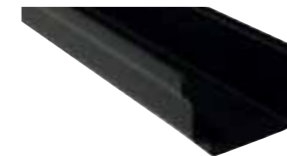
Add suffix as follows for colours: ● CB = Cast Black
Note: Please order as single items but in multiples of pack quantity only.

Ogee Gutter & Downpipe Cast Effect System

Height	Width	Flow Rate	Area Drained	Down Pipe
70mm	120mm	2.2 l/s	105m ²	Round/Square (P22/26)



Ogee Gutter



code	colour	size	pk qty
OGG4	●	4m	1

90° External Angle



code	colour	size	pk qty
OGA2	●	-	1

90° Internal Angle



code	colour	size	pk qty
OGA1	●	-	1

135° Internal Angle



code	colour	size	pk qty
OGA3	●	-	1

135° External Angle



code	colour	size	pk qty
OGA4	●	-	1

Ogee Gutter & Downpipe Cast Effect System

External Stopends



description	code	colour	size	pk qty
Right-hand	OGE2	●	-	1
Left-hand	OGE1	●	-	1

Fascia Bracket



code	colour	size	pk qty
OGK1	●	-	1

Running Outlet



code	colour	size	pk qty
OGO1	●	-	1

Stopend Outlet (R/H)



code	colour	size	pk qty
OGO2	●	-	1

Stopend Outlet (L/H)



code	colour	size	pk qty
OGO3	●	-	1

Union Bracket



code	colour	size	pk qty
OGU1	●	-	1

65mm x 65mm Square Downpipe



code	colour	size	pk qty
KFPS25	●	2.5m	1

112.5° Offset Bend



code	colour	size	pk qty
KFBS2	●	-	1

92.5° Offset Bend



code	colour	size	pk qty
KFBS1	●	-	1

Shoe with Lugs



code	colour	size	pk qty
KFBS5	●	-	1

Pipe Clip with Lugs



code	colour	size	pk qty
KFCS4	●	-	1

Pipe Socket with Lugs



code	colour	size	pk qty
KFSS2	●	-	1

112° Branch



code	colour	size	pk qty
KFYS1	●	-	1

Hopper with Lugs



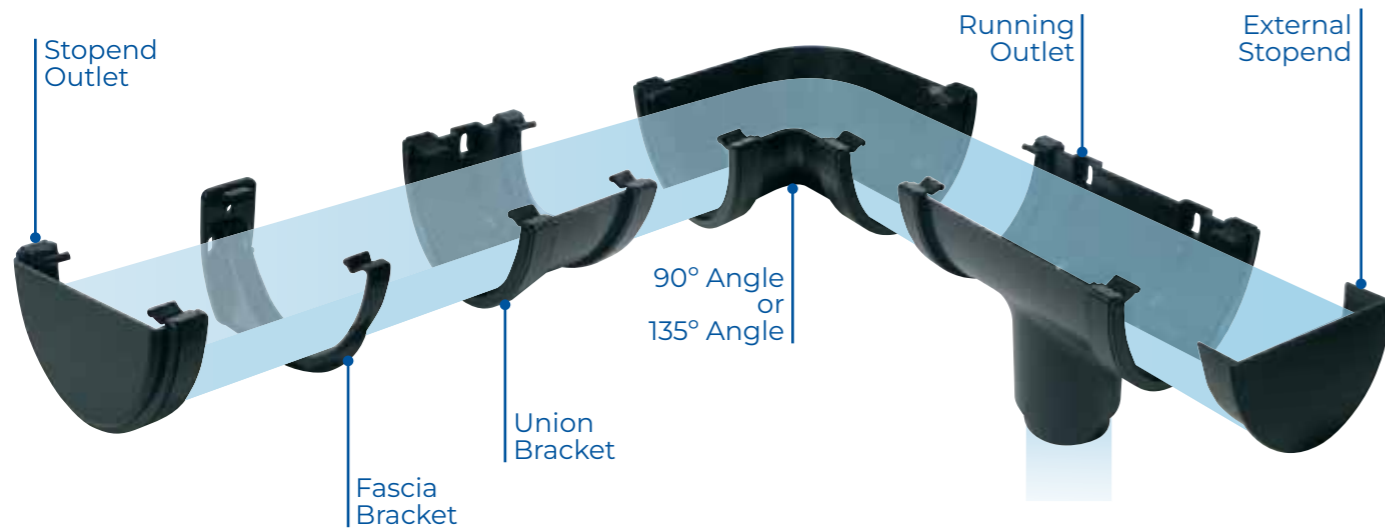
code	colour	size	pk qty
KFHS2	●	-	1

Add suffix as follows for colours: ● CB = Cast Black

Note: Please order as single items but in multiples of pack quantity only.

Deep Gutter & Round Downpipe Cast Effect System

Height	Width	Flow Rate	Area Drained	Down Pipe
71mm	114mm	1.81 l/s	86m ²	Round (P29)



Deep Gutter



code	colour	size	pk qty
KDG4	●	4m	1

90° Angle



code	colour	size	pk qty
KDA1	●	-	1

135° Angle



code	colour	size	pk qty
KDA2	●	-	1

External Stopend



code	colour	size	pk qty
KDE1	●	-	1

Internal Stopend



code	colour	size	pk qty
KDE2	●	-	1

Fascia Bracket



code	colour	size	pk qty
KDK1	●	-	1

Running Outlet



code	colour	size	pk qty
KDO1	●	-	1

Union Bracket



code	colour	size	pk qty
KDU1	●	-	1

68mm Round Downpipe



code	colour	size	pk qty
KFP25	●	2.5m	1

92.5° Offset Bend



code	colour	size	pk qty
KFB1	●	-	1

112.5° Offset Bend



code	colour	size	pk qty
KFB2	●	-	1

Shoe with Lugs



code	colour	size	pk qty
KFB4	●	-	1

Add suffix as follows for colours: ● CB = Cast Black

Note: Please order as single items but in multiples of pack quantity only.

Deep Gutter & Round Downpipe Cast Effect System

Pipe Clip with Lugs



code	colour	size	pk qty
KFC2	●	-	1

Pipe Socket with Lugs



code	colour	size	pk qty
KFS2	●	-	1

112° Branch



code	colour	size	pk qty
KFY1	●	-	1

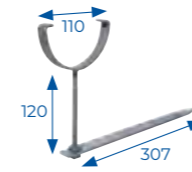
Hopper with Lugs



code	colour	size	pk qty
KFHS2	●	-	1

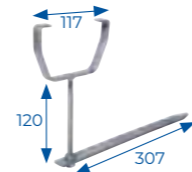
Accessories

Rise & Fall Bracket (Half Round)



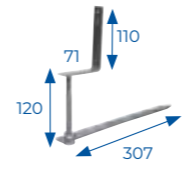
code	colour	size	pk qty
KFRB	●	-	10

Rise & Fall Bracket (Square)



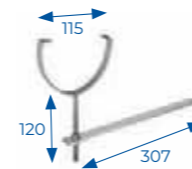
code	colour	size	pk qty
KFRBS	●	-	10

Rise & Fall Bracket (Universal)



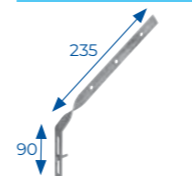
code	colour	size	pk qty
KFRBU	●	-	10

Rise & Fall Bracket (Deep)



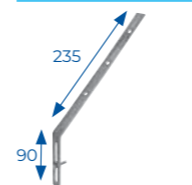
code	colour	size	pk qty
KFRBD	●	-	10

Side Rafter Bracket



code	colour	size	pk qty
KFSRB	●	-	10

Top Rafter Bracket



code	colour	size	pk qty
KFTRB	●	-	10

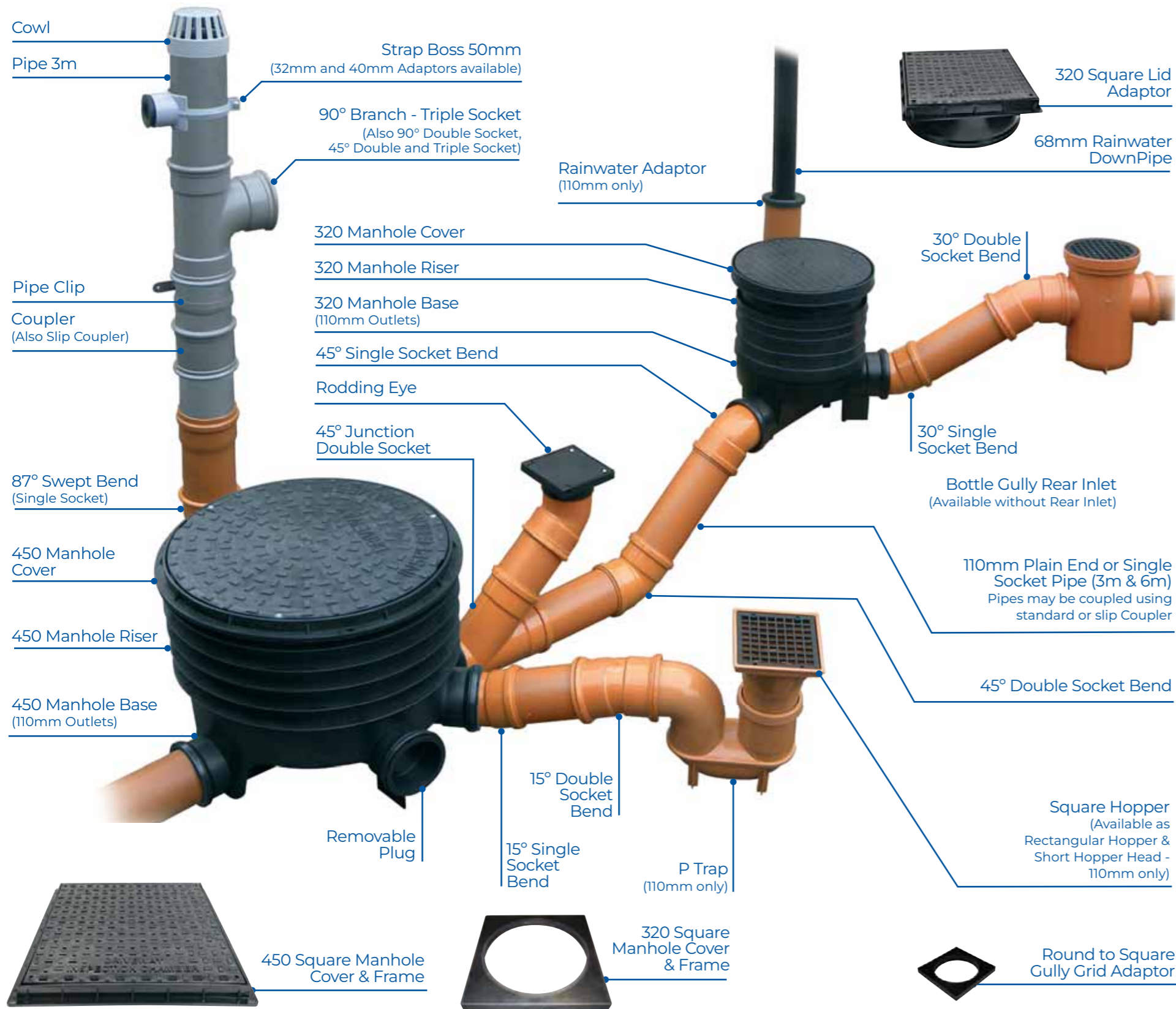
Gutter Balloon



code	colour	size	pk qty
KFLIBL	●	-	10

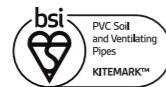
Add suffix as follows for colours: ● CB = Cast Black

Note: Please order as single items but in multiples of pack quantity only.



110mm Soil

- 110mm Compatible with most other UK systems
- Comprehensive range
- High gloss PVC-u for low maintenance
- Lightweight durable and easy to install



110mm & 160mm Underground

- 110mm and 160mm
- Easy fit system
- Lightweight
- Durable and impact resistant



Waste Water System

- 32mm & 40mm Push Fit
- 32mm, 40mm & 50mm Solvent Weld
- 21.5mm Overflow
- Lightweight and easy fit system

*Waste Water System not illustrated above.

Kayflow™

WASTE WATER, SOIL AND UNDERGROUND SYSTEMS

These ranges provide customers with a comprehensive system to carry soil and waste water away from a variety of buildings.

Waste Water NEW

- 32mm Push Fit
- 40mm Push Fit
- 32mm Solvent Weld
- 40mm Solvent Weld
- 50mm Solvent Weld
- 21.5mm Overflow

Soil

110mm

Underground

110mm

160mm

Inspection Chambers

Waste Water Systems

NEW

The New Waste Water range further extends Kayflow's drainage offering, adding to the existing portfolio of Rainwater, Soil and Underground products. The new range consists of three systems; Push Fit, Solvent Weld and Overflow.



- Push Fit – 32mm & 40mm (White, Black & Light Grey)
- Solvent Weld – 32mm, 40mm & 50mm (White, Black & Olive Grey)
- Overflow – 21.5mm (White)

32mm & 40mm Push Fit System

Pipe



code	colour	size (mm)	pk qty
PF32P3	● ● ○	32	10 x 3m
PF40P3	● ● ○	40	10 x 3m

End Cap



code	colour	size (mm)	pk qty
PF32EC	● ● ○	32	20
PF40EC	● ● ○	40	20

Coupler (Double Socket)



code	colour	size (mm)	pk qty
PF32CD	● ● ○	32	10
PF40CD	● ● ○	40	10

45° Swept Bend (Double Socket)



code	colour	size (mm)	pk qty
PF32SD	● ● ○	32	10
PF40SD	● ● ○	40	10

Ensure an appropriate lubricant is used when joining pipe and fittings. It is recommended that a chamfer is created on the pipe using a deburrer.

88° Swept Branch (Triple Socket)



code	colour	size (mm)	pk qty
PF32SBT	● ● ○	32	10
PF40SBT	● ● ○	40	10

90° Knuckle Bend (Double Socket)



code	colour	size (mm)	pk qty
PF32KD	● ● ○	32	10
PF40KD	● ● ○	40	10

90° Knuckle Bend (Single Socket)



code	colour	size (mm)	pk qty
PF32KS	● ● ○	32	10
PF40KS	● ● ○	40	10

Pipe Clip



code	colour	size (mm)	pk qty
PC32	● ● ○	32	50
PC40	● ● ○	40	50

Scan the QR code to visit the **Technical Hub** for more information on **Waste Water System installation guidance.**



Add suffix as follows for colours: ● B= Black ● LG= Light Grey ○ W= White
Note: Please order as single items but in multiples of pack quantity only.

32mm, 40mm & 50mm Solvent Weld System

Pipe



code	colour	size (mm)	pk qty
SW32P3	● ● ○	32	10 x 3m
SW40P3	● ● ○	40	10 x 3m
SW50P3	● ● ○	50	10 x 3m

Access Plug



code	colour	size (mm)	pk qty
SW32AP	● ● ○	32	10
SW40AP	● ● ○	40	10
SW50AP	● ● ○	50	10

Coupler (Double Socket)



code	colour	size (mm)	pk qty
SW32CD	● ● ○	32	10
SW40CD	● ● ○	40	10
SW50CD	● ● ○	50	10

45° Branch (Triple Socket)



code	colour	size (mm)	pk qty
SW40BT	● ● ○	40	10

45° Obtuse Bend (Double socket)



code	colour	size (mm)	pk qty
SW32BBD	● ● ○	32	10
SW40BBD	● ● ○	40	10
SW50BBD	● ● ○	50	10

45° Obtuse Bend (Single Socket)



code	colour	size (mm)	pk qty
SW32BBS	● ● ○	32	10
SW40BBS	● ● ○	40	10
SW50BBS	● ● ○	50	10

88° Swept Bend (Double Socket)



code	colour	size (mm)	pk qty
SW32SBD	● ● ○	32	10
SW40SBD	● ● ○	40	10
SW50SBD	● ● ○	50	10

88° Swept Bend (Single Socket)



code	colour	size (mm)	pk qty
SW32SBS	● ● ○	32	10
SW40SBS	● ● ○	40	10
SW50SBS	● ● ○	50	10

88° Swept Branch (Triple Socket)



code	colour	size (mm)	pk qty
SW32SBT	● ● ○	32	10
SW40SBT	● ● ○	40	10
SW50SBT	● ● ○	50	10

90° Knuckle Bend (Double Socket)



code	colour	size (mm)	pk qty
SW32KBD	● ● ○	32	10
SW40KBD	● ● ○	40	10
SW50KBD	● ● ○	50	10

Pipe Clip (32mm & 40mm)



code	colour	size (mm)	pk qty
PC32	● ● ○	32	50
PC40	● ● ○	40	50

Pipe Clip (50mm)



code	colour	size (mm)	pk qty
PC50	● ● ○	50	50

Solvent Weld pipe and fittings must be clean, dry and cut swarf removed, before applying cement.

Add suffix as follows for colours: ● B = Black ● G = Olive Grey ○ W = White
Note: Please order as single items but in multiples of pack quantity only.

21.5mm Overflow System

Pipe



code	colour	size (mm)	pk qty
VF21P3	○	21.5	10 x 3m

45° Bend



code	colour	size (mm)	pk qty
VF2145B	○	21.5	50

90° Bend



code	colour	size (mm)	pk qty
VF2190B	○	21.5	50

90° Tee



code	colour	size (mm)	pk qty
VF2190T	○	21.5	30

Straight Coupler



code	colour	size (mm)	pk qty
VF2190S	○	21.5	100

21.5mm Overflow to 32mm Solvent Weld System

21.5x32mm Reducer



code	colour	size (mm)	pk qty
VF2132R	○	21.5/32	10

21.5x40mm Reducer



code	colour	size (mm)	pk qty
VF2140R	○	21.5/40	10

40mm to 32mm Push Fit System

40x32mm Reducer



code	colour	size (mm)	pk qty
PF4032R	●●○	40/32	10

40mm to 32mm Solvent Weld System

40x32mm Reducer



code	colour	size (mm)	pk qty
SW4032R	●●	40/32	10

50mm to 32mm Solvent Weld System

50x32mm Reducer



code	colour	size (mm)	pk qty
SW5032R	●●	50/32	10

50mm to 40mm Solvent Weld System

50x40mm Reducer



code	colour	size (mm)	pk qty
SW5040R	●●	50/40	10

Accessories

PVC Cement Clear 250ml



code	colour	size (mm)	pk qty
SWC250	-	-	1

PVC Degreaser Clear 250ml



code	colour	size (mm)	pk qty
SWD250	-	-	1

Add suffix as follows for colours: ● B = Black ● LG = Light Grey ● G = Olive Grey ○ W = White
 Note: Please order as single items but in multiples of pack quantity only.

110mm Soil

Single Socket Pipe



code	Colour	size (mm)	pk qty
S1	● ● ○	110	2 x 3m
BS1	● ● ○	110	50 x 3m

15° Bend (Single Socket)



code	colour	size (mm)	pk qty
S10	● ● ○	110	1
BS10	● ● ○	110	40

15° Bend (Double Socket)



code	colour	size (mm)	pk qty
S6	● ● ○	110	1
BS6	● ● ○	110	40

30° Bend (Single Socket)



code	colour	size (mm)	pk qty
S9	● ● ○	110	1
BS9	● ● ○	110	40

30° Bend (Double Socket)



code	colour	size (mm)	pk qty
S5	● ● ○	110	1
BS5	● ● ○	110	40

45° Bend (Single Socket)



code	colour	size (mm)	pk qty
S8	● ● ○	110	1
BS8	● ● ○	110	30

45° Bend (Double Socket)



code	colour	size (mm)	pk qty
S4	● ● ○	110	1
BS4	● ● ○	110	30

90° Bend (Single Socket)



code	colour	size (mm)	pk qty
S7	● ● ○	110	1
BS7	● ● ○	110	20

90° Bend (Double Socket)



code	colour	size (mm)	pk qty
S3	● ● ○	110	1
BS3	● ● ○	110	20

90° Short Access Bend (Single Socket)



code	colour	size (mm)	pk qty
S11	● ● ○	110	1
BS11	● ● ○	110	20

Coupler



code	colour	size (mm)	pk qty
S16	● ● ○	110	1
BS16	● ● ○	110	50

Slip/Repair Coupler



code	colour	size (mm)	pk qty
S17	● ● ○	110	1
BS17	● ● ○	110	50

Add suffix as follows for colours: ● BL = Black, ● GY = Grey, ○ WH = White
Codes beginning with 'B' denote the specific BULK quantity shown.

110mm soil

45° Branch (Double Socket)



code	colour	size (mm)	pk qty
S15	● ● ○	110	1
BS15	● ● ○	110	15

45° Branch (Triple Socket)



code	colour	size (mm)	pk qty
S13	● ● ○	110	1
BS3	● ● ○	110	15

90° Branch (Double Socket)



code	colour	size (mm)	pk qty
S14	● ● ○	110	1
BS14	● ● ○	110	15

90° Branch (Triple Socket)



code	colour	size (mm)	pk qty
S12	● ● ○	110	1
BS12	● ● ○	110	15

Access Junction (Double Socket)



code	colour	size (mm)	pk qty
S18	● ● ○	110	1
BS18	● ● ○	110	12

Straight Access Pipe (Single Socket)



code	colour	size (mm)	pk qty
S25	● ● ○	110	1
BS25	● ● ○	110	18

50mm Strap Boss



code	colour	size (mm)	pk qty
S50	● ● ○	110	1
BS50	● ● ○	110	10

Air Admittance Valve



code	colour	size (mm)	pk qty
S24	● ● ○	110	1
BS24	● ● ○	110	27

Cowl



code	colour	size (mm)	pk qty
S21	● ● ○	110	1
BS21	● ● ○	110	40

Pipe Clip



code	colour	size (mm)	pk qty
S22	● ● ○	110	1
BS22	● ● ○	110	50

Add suffix as follows for colours: ● BL = Black, ● GY = Grey, ○ WH = White
Codes beginning with 'B' denote the specific BULK quantity shown.

110mm Soil

40mm Adaptor



code	colour	size (mm)	pk qty
S40	●	110	1
BS40	●	110	10

32mm Adaptor



code	colour	size (mm)	pk qty
S32	●	110	1
BS32	●	110	10

End Plug/Cap



code	colour	size (mm)	pk qty
S20	● ●	110	1
BS20	●	110	100

Universal Pipe Lubricant



code	size (kg)	pk qty
UPL1	1.0	1

Scan the **QR code** to visit the **Sustainability** page for more information around Kayflow's environmental initiatives and how we are working towards a sustainable future.



Add suffix as follows for colours: ● **BL** = Black, ● **GY** = Grey, ○ **WH** = White
Codes beginning with 'B' denote the specific BULK quantity shown.

110mm Underground

Plain End Pipe



code	size (mm)	pk qty
UG1	110	1 x 3m
BUG1	110	50 x 3m
UG2	110	1 x 6m
BUG2	110	50 x 6m

Single Socket Pipe



code	size (mm)	pk qty
UG3	110	1 x 3m
BUG3	110	50 x 3m
UG4	110	1 x 6m
BUG4	110	50 x 6m

15° Bend (Single Socket)



code	size (mm)	pk qty
UG28	110	1
BUG28	110	40

15° Bend (Double Socket)



code	size (mm)	pk qty
UG20	110	1
BUG20	110	40

30° Bend (Single Socket)



code	size (mm)	pk qty
UG26	110	1
BUG26	110	40

30° Bend (Double Socket)



code	size (mm)	pk qty
UG18	110	1
BUG18	110	40

45° Bend (Single Socket)



code	size (mm)	pk qty
UG24	110	1
BUG24	110	30

45° Bend (Double Socket)



code	size (mm)	pk qty
UG16	110	1
BUG16	110	30

90° Bend (Single Socket)



code	size (mm)	pk qty
UG22	110	1
BUG22	110	20

90° Bend (Double Socket)



code	size (mm)	pk qty
UG14	110	1
BUG14	110	20

90° Swept Bend (Single Socket)



code	size (mm)	pk qty
UG29	110	1
BUG29	110	15

90° Swept Bend (Double Socket)



code	size (mm)	pk qty
UG21	110	1
BUG21	110	15

110mm Underground

Rest Bend (Single Socket)



code	size (mm)	pk qty
UG45	110	1
BUG45	110	14

Rest Bend (Double Socket)



code	size (mm)	pk qty
UG46	110	1
BUG46	110	14

Coupler (Double Socket)



code	size (mm)	pk qty
UG10	110	1
BUG10	110	50

Slip Coupler (Double Socket)



code	size (mm)	pk qty
UG12	110	1
BUG12	110	50

Socket Plug



code	size (mm)	pk qty
UG111	110	1

Adjustable Bend (Double Socket)



code	size (mm)	pk qty
UG23	110	1
BUG23	110	16

45° Long Radius Bend



code	size (mm)	pk qty
UG15	110	1
BUG15	110	15

90° Long Radius Bend



code	size (mm)	pk qty
UG13	110	1
BUG13	110	10

110mm Underground

45° Junction (Double Socket)



code	size (mm)	pk qty
UG47	110	1
BUG47	110	15

45° Junction (Triple Socket)



code	size (mm)	pk qty
UG38	110	1
BUG38	110	15

90° Junction (Double Socket) with Twin Boss



code	size (mm)	pk qty
UG44	110	1
BUG44	110	15

90° Junction (Triple Socket) with Twin Boss



code	size (mm)	pk qty
UG39	110	1
BUG39	110	15

P Trap



code	size (mm)	pk qty
UG100	110	1
BUG100	110	14

Bottle Gully



code	size (mm)	pk qty
UG101	110	1
BUG101	110	50
UG106 (Grid Only)	110	1
BUG106 (Grid Only)	110	150

Bottle Gully (Rear Inlet)



code	size (mm)	pk qty
UG102	110	1
BUG102	110	50
UG106 (Grid Only)	110	1
BUG106 (Grid Only)	110	150

Gully Raising Piece



code	size (mm)	pk qty
UG1006	110	1
BUG1006	110	12

Short Hopper Head



code	size (mm)	pk qty
UG107	110	1
BUG107	110	60
UG105 (Grid Only)	110	1
BUG105 (Grid Only)	110	200

Square Hopper



code	size (mm)	pk qty
UG103	110	1
BUG103	110	24
UG105 (Grid Only)	110	1
BUG105 (Grid Only)	110	200

110mm Underground

Rectangular Hopper



code	size (mm)	pk qty
UG104	110	1
BUG104	110	20
UG105 (Grid Only)	110	1
BUG105 (Grid Only)	110	200

Level Invert Reducer (160 x 100mm)



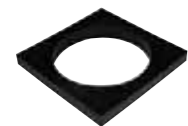
code	size (mm)	pk qty
UG115	160 x 110	1
BUG115	160 x 110	230

Rodding Eye



code	size (mm)	pk qty
UG1012	110	1
BUG1012	110	20

Round to Square Grid Adaptor (for use with Bottle Gully)



code	size (mm)	pk qty
UG1008	110	1
BUG1008	110	10

Rainwater Adaptor



code	size (mm)	pk qty
UG1015	110	1

110mm Straight Rubber Coupler



code	size (mm)	pk qty
UG1011	110	1

Plastic to Clay Adaptor



code	size (mm)	pk qty
UG1009	110	1

160mm Underground

Plain End Pipe



code	size (mm)	pk qty
UG1160	160	1x3m
UG2160	160	1x6m

Single Socket Pipe



code	size (mm)	pk qty
UG3160	160	1x3m
UG4160	160	1x6m

15° Bend (Single Socket)



code	size (mm)	pk qty
UG28160	160	1

15° Bend (Double Socket)



code	size (mm)	pk qty
UG20160	160	1

30° Bend (Single Socket)



code	size (mm)	pk qty
UG26160	160	1

30° Bend (Double Socket)



code	size (mm)	pk qty
UG18160	160	1

160mm Underground

45° Bend (Single Socket)



code	size (mm)	pk qty
UG24160	160	1

45° Bend (Double Socket)



code	size (mm)	pk qty
UG16160	160	1

90° Bend (Single Socket)



code	size (mm)	pk qty
UG22160	160	1

45° Junction (Double Socket)



code	size (mm)	pk qty
UG47160	160	1

45° Junction (Triple Socket)



code	size (mm)	pk qty
UG38160	160	1

45° Junction 160mm x 110mm (Double Socket)



code	size (mm)	pk qty
UG49160	160	1

90° Junction (Double Socket)



code	size (mm)	pk qty
UG44160	160	1

90° Junction 160mm x 110mm (Double Socket)



code	size (mm)	pk qty
UG48160	160	1

Coupler (Double Socket)



code	size (mm)	pk qty
UG10160	160	1

Socket Plug



code	size (mm)	pk qty
UG11160	160	1

Inspection Chambers

320 Inspection Chamber

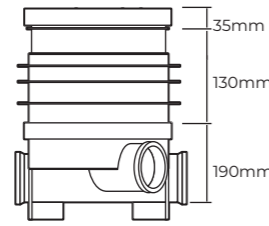


- 1 x Main Entry
- 2 x 45° Entries
- 2 x Blanking Plugs

Max. Depth: 600mm
All Sockets: 110mm
BS EN 13598-1:2020



BS EN 13598-1
KM 777729

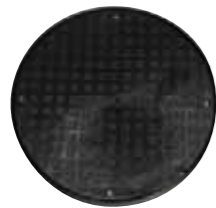


320 Square Lid Adaptor



code	size (mm)	pk qty
UG1013	320	1
BUG1013	320	20

320 Manhole Cover and Frame (Round)



code	size (mm)	pk qty
UG1000	320	1
BUG1000	320	54

1.5tonne/15kN loading

320 Manhole Cover and Frame (Square)



code	size (mm)	pk qty
UG2000	320	1
BUG2000	320	54

320 Riser



code	size (mm)	pk qty
UG1002	320	1
BUG1002	320	99

Riser Seals for 320 Base



code	size (mm)	pk qty
UG108	320	10
BUG108	320	150

320 Manhole Base

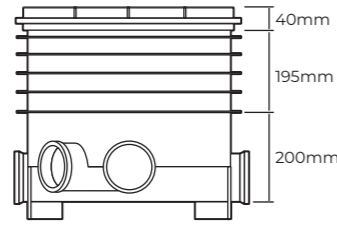


code	size (mm)	pk qty
UG1004	320	1
BUG1004	320	56

It is recommended that all joints require generous lubrication, which is also available from Kayflow - please see page 44.

Inspection Chambers

450 Inspection Chamber



- 1 x Main Entry
- 2 x 90° Entries
- 2 x 45° Entries
- 4 x Blanking Plugs

Max. Depth: 1200mm
All Sockets: 110mm
 BS EN 13598-1:2020



450 Manhole Cover and Frame (Round)



code	size (mm)	pk qty
UG1001	450	1
BUG1001	450	52

1.5tonne/15kN loading

450 Manhole Cover and Frame (Square)



code	size (mm)	pk qty
UG2001	450	1
BUG2001	450	52

450 Riser



code	size (mm)	pk qty
UG1003	450	1
BUG1003	450	36

Riser Seals for 450 Base



code	size (mm)	pk qty
UG1007	450	10
BUG1007	450	150

450 Manhole Base



code	size (mm)	pk qty
UG1005	450	1
BUG1005	450	32

450 Manhole Base (160mm Main Run and Side Inlets)



code	size (mm)	pk qty
UG1014	450	1
BUG1014	450	24

It is recommended that all joints require generous lubrication, which is also available from Kayflow - please see pages 44.

Useful Kayflow contacts:

To speak to our customer services team
or to place your orders, please contact

01827 317 200

and choose Option 1

or e-mail sales.orders@swishbp.co.uk.

For technical enquiries, contact:

Technical Department

01827 317200

technical@swishbp.co.uk

Kayflow™

Pioneer House, Mariner, Lichfield Road Industrial
Estate, Tamworth Staffordshire B79 7TF

Tel: 01827 317200 · Fax: 01827 317217

Email: info@kayflow.co.uk

www.kayflow.co.uk

